



Preliminary

# EV Fluid Heater

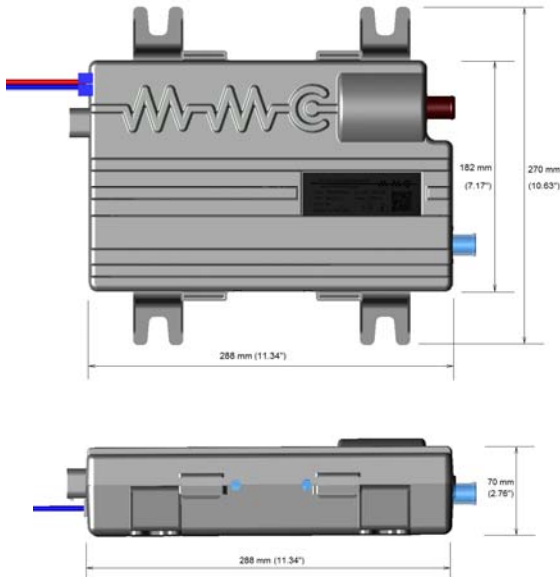
MMC4000LV  
MMC4000HV



The all NEW MMC4000 4kW Fluid Heater for electric and hybrid vehicles will provide cabin heat using traction battery as energy source. Especially suitable for conversion or retrofitted vehicles since allows keeping existing heater core and duct work intact. Now cars no longer will have frozen windshield and long haul trucks won't have to idle diesel engine all night just to keep driver's cabin warm.

Available in two versions: LV (200...500 VDC) and HV (450...900 VDC).  
5 way controllable: ON/OFF, Analog, CAN, PWM, 0...5 VDC from external source.

Designed to supersede MES RM3/RM4 series fluid heater and has compatible operating mode.



Parameter	MMC4000LVx	MMC4000HVx	Unit
Min. input voltage (PWR)	200	450	VDC
Max. input voltage (PWR)	500	900	VDC
Max. DC input power (adjustable)	4000		W
Dry Weight LV and HV version	1.2		kg
Dry Weight LVP and HVP version	1.0		kg
Dimensions (without mounting feet)	288 x 182 x 170		mm

